



**Electrolux**  
PROFESSIONAL

**Modular Cooking Range Line  
900XP Sink Top with Water  
Column, 400 mm**

ITEM # \_\_\_\_\_

MODEL # \_\_\_\_\_

NAME # \_\_\_\_\_

SIS # \_\_\_\_\_

AIA # \_\_\_\_\_



391236 (E9SUNDQ000)

Sink Top with water mixing tap, 400mm

**Short Form Specification**

Item No. \_\_\_\_\_

930mm deep unit with 1,5mm thick AISI 304 stainless steel worktop and exterior panels in Stainless Steel with Scotch Brite finishing.

AISI 304 well, 1mm-thick and 150mm deep with GN 1/1 dimensions. Features tap with hot and cold water knobs and right-angled side edges to allow flush fitting joints between units, eliminating gaps and possible dirt traps.

**Main Features**

- Well with GN1/1+GN1/3 dimensions, 160mm deep.
- Unit to be mounted on open base cupboards, bridging supports or cantilever systems.
- Mixing tap with hot and cold water connection.
- Suitable for countertop installation.

**Construction**

- Model has right-angled side edges to allow flush fitting joints between units, eliminating gaps and possible dirt traps.
- All exterior panels in Stainless Steel with Scotch Brite finishing.
- AISI 304 well, 1,2 mm-thick.
- Side and rear panel in AISI 304 stainless steel.
- Unit is 930 mm deep to give a larger working surface area.
- AISI 304 stainless steel worktop, 2mm thick.

APPROVAL: \_\_\_\_\_

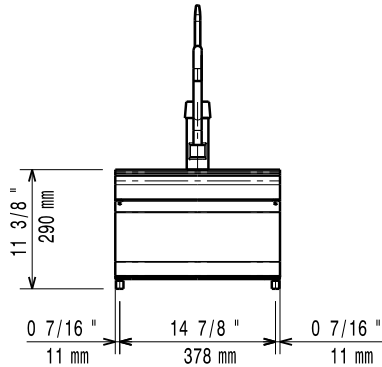


Experience the Excellence  
[www.electroluxprofessional.com](http://www.electroluxprofessional.com)

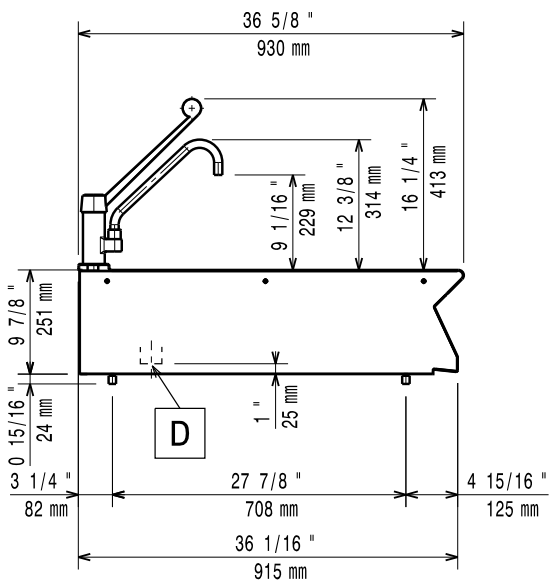
**Optional Accessories**

- Junction sealing kit PNC 206086
- Support for bridge type system, 800mm PNC 206137
- Support for bridge type system, 1000mm PNC 206138
- Support for bridge type system, 1200mm PNC 206139
- Support for bridge type system, 1400mm PNC 206140
- Support for bridge type system, 1600mm PNC 206141
- Support for bridge type system, 400mm PNC 206154
- Stand with 2 supports, 400mm PNC 206183
- Chimney upstand, 400mm PNC 206303
- Side handrail-right/left hand PNC 216044
- Frontal handrail 400mm PNC 216046
- Frontal handrail 800mm PNC 216047
- Frontal handrail 1200mm PNC 216049
- Frontal handrail 1600mm PNC 216050
- Large handrail - portioning shelf, 400mm PNC 216185
- Large handrail - portioning shelf, 800mm PNC 216186
- 2 side covering panels for top, d=900mm PNC 216278

Front

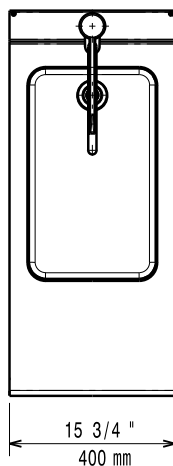


Side



- CWI1 = Cold Water inlet 1 (cleaning)
- D = Drain
- HWI = Hot water inlet

Top


**Water:**

 Drain line size:  $1 \frac{1}{2}$ 
**Key Information:**

External dimensions, Width: 400 mm  
 External dimensions, Depth: 930 mm  
 External dimensions, Height: 250 mm  
 Net weight: 20 kg